



MIL-STD-461 EMI INPUT FILTER FGDS-2A-50V up to 2A CURRENT

Hi-Rel
Grade ■■

2A EMI Filter Module 9 to 50 VDC Input Range MIL-STD-461C/D/E/F Compliant



1-General

The GAIA Converter filter module FGDS-2A-50V provides a state-of-the-art product to fulfill Electromagnetic Interferences (EMI) requirements for Aerospace/Defence applications.

The FGDS-2A-50V complies with major standards including :

- the US MIL-STD-461 rev C, D, E and rev F
- the international DO-160 rev C, D, E and rev F

In particular, the filter module is compliant with the following requirements of MIL-STD-461 and DO-160 standards :

- **MIL-STD-461C Part 2. & 3. requirements :**
 - **Conducted Emission (CE)**
 - CE03, power leads, emission over 15KHz to 50MHz, narrowband, Class A1
 - CE03, power leads, emission over 15KHz, broadband, Class A1 curve# 1 & 2
 - **Conducted Susceptibility (CS)**
 - CS01, power leads, frequency over 30Hz to 50KHz, class A1, consult factory for criteria
 - CS02, power leads, frequency 15KHz to 400MHz, class A1
 - CS06, power leads, spike #1

- **MIL-STD-461D/E/F Part 2. & 3. requirements :**

- **Conducted Emission (CE)**
 - CE102, power leads, emission over 10KHz to 10MHz, basic curve
- **Conducted Susceptibility (CS)**
 - CS101, power leads, frequency 30Hz to 150KHz, curve #1
 - CS114, bulk cable injection, frequency 10KHz to 400MHz
 - CS115, spikes, bulk cable injection, calibrated spike
 - CS116, damped sinusoidal transient

- **DO-160-C/D/E/F requirements :**

- **Conducted Emission (CE)**
 - Section 21 power lines, emission over 15KHz to 30MHz, category B, AZ & LMH
- **Conducted Susceptibility (CS)**
 - Section 20 power lines, frequency 10KHz to 400MHz

In addition, this filter withstands in a transparent state without damage the transient requirements of :

- MIL-STD-704A with 80V/100ms
- MIL-STD-1275B with 100V/50ms

The FGDS-2A-50V is suitable for all GAIA Converter DC/DC converters and architecture

- from 4W up to 50W output power
- up to 2A output current
- up to 50V permanent input voltage.

2-Product Selection

FGDS-2A-50V / option

Options :

- /T : option for -55°C start up operating temperature
- /S : option for screening and serialization

3- Electrical Specifications

Data are valid at +25°C, unless otherwise specified.

Parameter	Conditions	Limit or typical	Units	FGDS-2A-50V
Input				
Nominal input voltage	Full temperature range	Nominal	VDC	28
Permanent input voltage range (Ui)	Full temperature range	Min. - Max.	VDC	9 - 50
Transient input voltage	Full load	Maximum Maximum	VDC/ms VDC/ms	80/100 100/50
Output				
Permanent output current	Full temperature range up to 105°C case Ui min. to max.	Maximum	A	2
Permanent output power	Full temperature range up to 105°C case Ui min. to max.	Maximum	W	50
Power dissipation	Maximum output current	Maximum	W	1
General				
Electrical strength test voltage	Case to any pin	Minimum	VDC	500
	Gnd pin to any other pin	Minimum	VDC	500
Reliability data MTBF according MIL-HDBK-217F	Conditions Gf	@40°C	Hours	23 000 000
		@85°C	Hours	6 000 000
	Conditions AIC	@40°C	Hours	12 300 000
		@85°C	Hours	3 300 000
EMI compliance				
Conducted emission	Power leads	MIL-STD-461C	CE03	See section 6
	Power leads	MIL-STD-461D/E/F	CE102	See section 6
	Power lines	DO-160C catA, B & Z	Section 21	/
	Power lines	DO-160D/E/F cat B & LMH	Section 21	/
Conducted susceptibility	0.1 Ohm impedance	MIL-STD-461C	CS06 : 200V/0.15µs	Compliant
	50 Ohm impedance	MIL-STD-461D/E/F	CS115	Compliant
	Imax = 10A	MIL-STD-461D/E/F	CS116	Compliant
	50 Ohm impedance	DO-160C/D/E/F	Section 20	Compliant

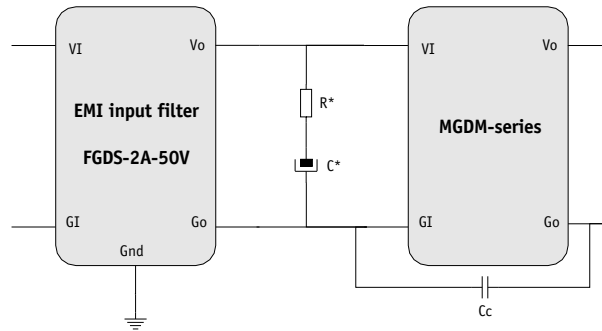
4- EMI Filter Electrical Schematics

The GAIA Converter FGDS-2A-50V is suitable for all GAIA Converter DC/DC converters and combinations :

- from 4W up to 50W total output power and up to 2A output current
- up to 50V permanent input voltage and up to 100V transient input voltage during 50ms

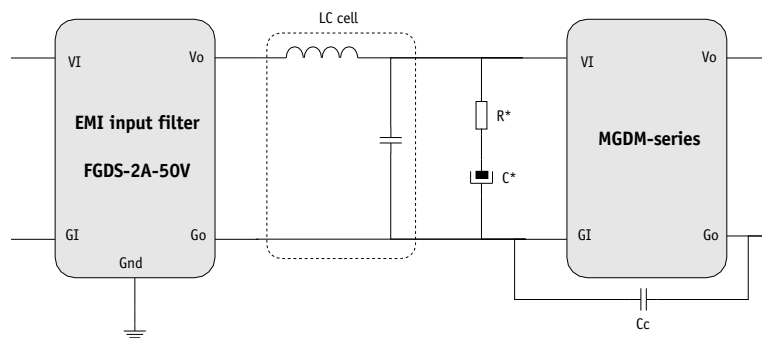
4-1 EMI Filter Electrical Schematics in Front of MGDM-04/10/18/20/26 & CGDM Series

The GAIA Converter FGDS-2A-50V can be used directly in front of any DC/DC converter and combinations using of MGDM-04, MGDM-10, MGDM-18, MGDM-20, MGDM-26 and CGDM series. For better EMI performance and stability purpose, GAIA Converter recommends to use a RC cell (see section 4-4) together with a common mode noise capacitance C_c (10nF typical) connected between G_{in} and G_{out} pins of each DC/DC converter.



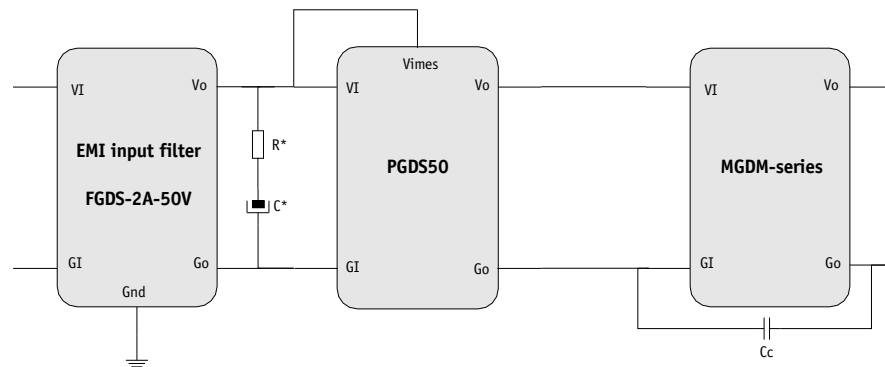
4-2 EMI Filter Electrical Schematics in front of MGDM-25, MGDM-35 Series

The GAIA Converter FGDS-2A-50V can be used by adding an LC cell in front of any DC/DC converter and combinations of MGDM-25, MGDM-35 series. For better EMI performance and stability purpose, GAIA Converter recommends to use a RC cell (see section 4-4) and a LC cell ($L=4.7\mu H$, $C=4.7\mu F$) together with a common mode noise capacitance C_c (10nF typical) connected between G_{in} and G_{out} pins of each DC/DC converter.



4-3 EMI Filter Electrical Schematics in Front of Pre-regulator PGDS Series :

The GAIA Converter FGDS-2A-50V can be used directly in front of pre-regulators PGDS series with any DC/DC converter and combinations of MGDM-04, MGDM-10, MGDM-18, MGDM-20, MGDM-26 and CGDM series. For better EMI performance and stability purposes, GAIA Converter recommends to use a RC cell (see section 4-4) together with a common mode noise capacitance C_c (10nF typical) connected between G_{in} and G_{out} pins of each converter.



4- EMI Filter Electrical Schematics (continued)

4-4 R*C* Network Discussion

The RC damping network is a network used for stability purposes in negative input impedance systems such as DC/DC converters.

R and C is a network whose function is to lower the filter's output impedance.

The value of the capacitor C strongly depends on the application's conditions (input voltage range and total power drawn from the source) as well as the standards that the equipment has to meet MIL-STD-461C, or D/E, ... this because measurements method (LISN) differs from one standard to another affecting the C value.

DC/DC converters are negative input impedance systems whereas a filter composed of passive elements displays a positive output impedance to the converter. To ensure the stability of the whole system "LISN + input Filter + DC/DC converters", the filter output impedance must be kept below the converter's input impedance, which is given by the following formula :

$$Z_{in} = \frac{V_{in}^2}{P_{in}} = \frac{V_{in}^2 \times \eta}{P_o}$$

where :

V_{in} is the converter input voltage,

P_{in} is the converter input power,

P_o is the converter output power

η is the efficiency of the converter.

As it can be seen from the preceding equation, the worst case for system's stability is at $V_{in_{min}}$, so this is the condition which should be considered for the filter design.

As the filter is made of low ESR inductors and ceramic capacitors, it has an important Q which causes a sharp increase of the filter's output impedance at the resonant frequency and leads to a violation of the stability criteria, causing the system to break into oscillations.

Consequently, the values of C and R have to be adjusted to dampen sufficiently the filter's resonance and make its output impedance lower than the converter's input impedance (a 10dB margin between both values is recommended). The following formula can be used to determine the capacitor value :

$$C > \frac{(L_{LISN} + 4 \cdot 10^{-6}) \times P_o \times k}{V_{in}^2 \times (R + R_L)}$$

Where :

L_{LISN} is the LISN inductor value

P_o is the filter output power

R is the **capacitor ESR of C** (equivalent serial resistor)

R_L is the input bus equivalent resistor. It is the sum of the line + LISN network + input connector resistors

k is the stability margin factor.

This factor is given by the following formula : Stability margin (dB) = 20 log (k)

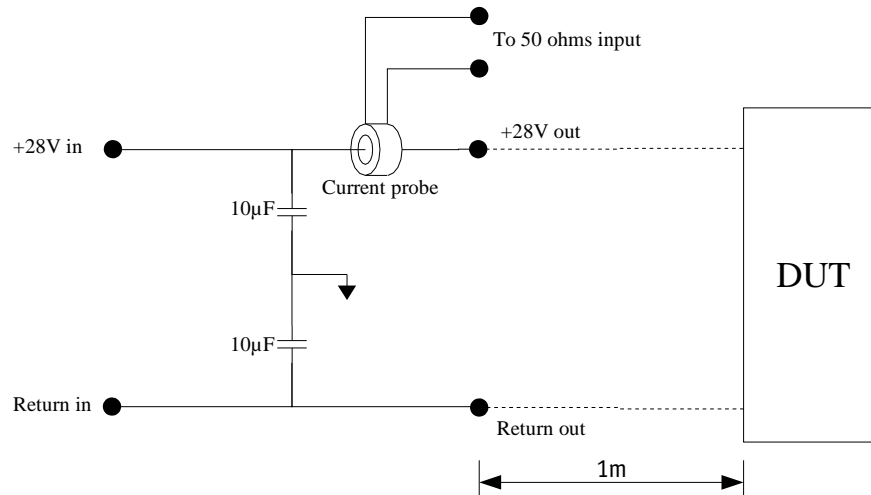
V_{in} is the converter input voltage

5- MIL-STD-461C/D/E/F Conducted Emission Tests Set-Up

5-1 MIL-STD-461C Measurement Method

The conducted noise emission measurement method of MIL-STD-461C is described in MIL-STD-462C standard. The «DUT» (Device Under Test) is powered thru a 1 meter length parallel wire.

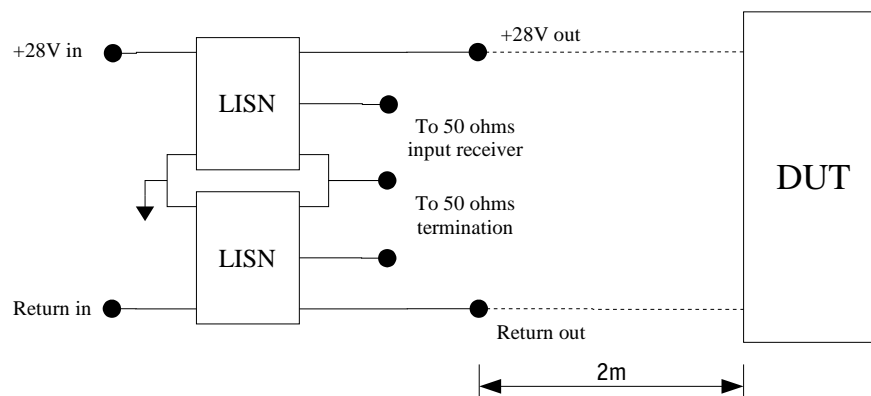
One end is terminated with the DUT and the other end is terminated with 10 μ F capacitors to the ground plane. The measurements are made with a current probe, the unit of measurement being dB μ A.



5-2 MIL-STD-461D/E/F Measurement Method

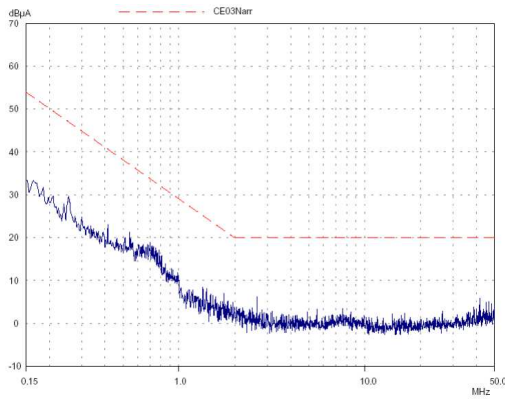
The conducted noise emission measurement method is described in the MIL-STD-461D/E standards. The «DUT» (Device Under Test) is powered thru a 2 meters length parallel wire.

One end is terminated with the DUT and the other end is terminated with LISN networks. The measurements are made with a measurement receiver, the unit being dB μ V

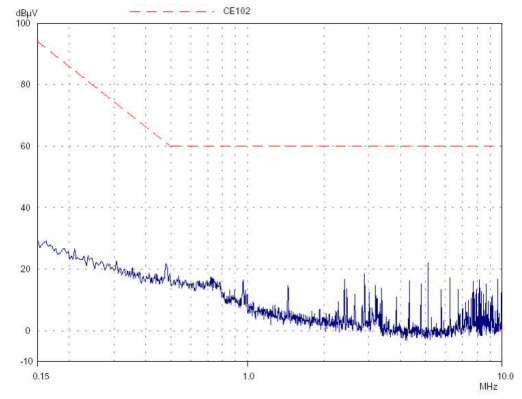


6- MIL-STD-461C & MIL-STD-461E Conducted Emission Level Results

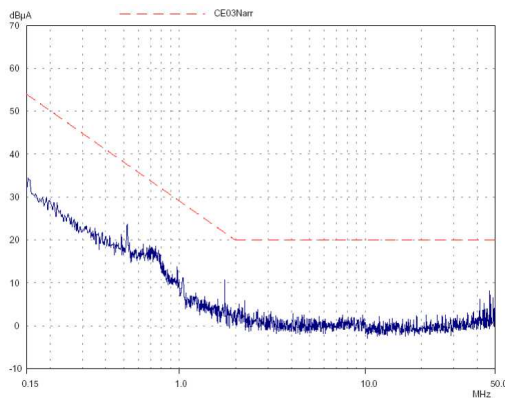
MIL-STD-461C : MGDS-04-H-C with FGDS-2A-50V



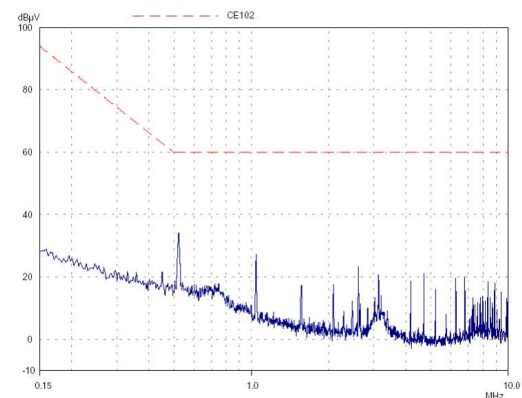
MIL-STD-461E : MGDS-04-H-C with FGDS-2A-50V



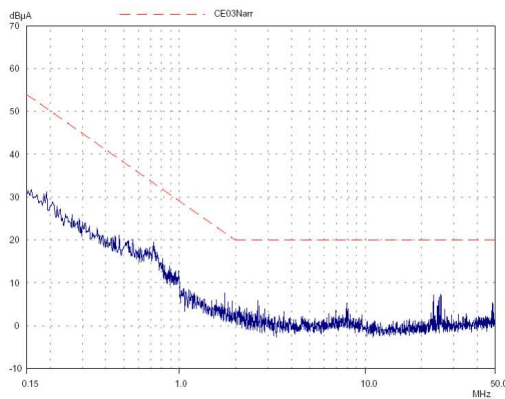
MIL-STD-461C : MGDS-10-J-C with FGDS-2A-50V



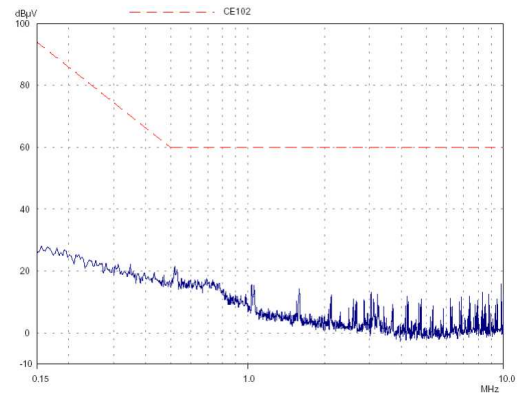
MIL-STD-461E : MGDS-10-J-C with FGDS-2A-50V



MIL-STD-461C : 3 x MGDS-10-J-C with FGDS-2A-50V

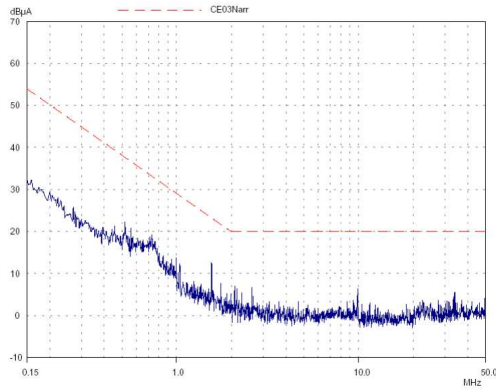


MIL-STD-461E : 3 x MGDS-10-J-C with FGDS-2A-50V

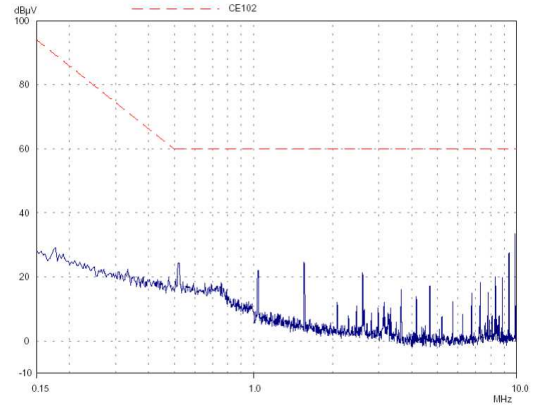


6- MIL-STD-461C & MIL-STD-461E Conducted Emission Level Results

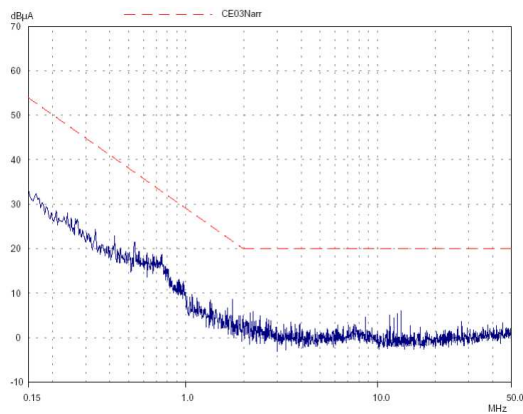
MIL-STD-461C : MGDS-26-H-C with FGDS-2A-50V



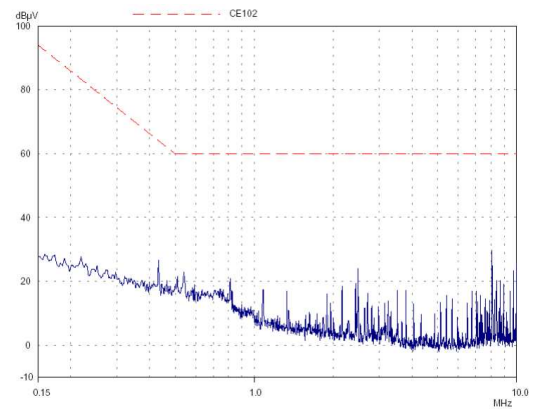
MIL-STD-461E : MGDS-26-H-C with FGDS-2A-50V



MIL-STD-461C : MGDS-35-H-C with FGDS-2A-50V



MIL-STD-461E : MGDS-35-H-C with FGDS-2A-50V



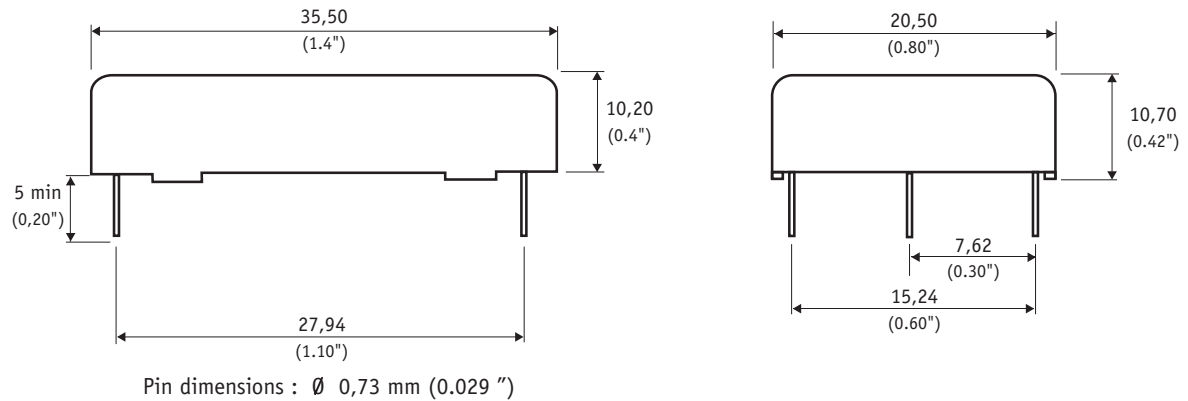
7- Environmental Qualifications

The modules have been subjected to the following environmental qualifications.

Characteristics	Conditions	Severity	Test procedure
Climatic Qualifications			
Life at high temperature	Duration Temperature / status of unit	Test D : 1.000 Hrs @ 105°C case, unit operating @ 125°C ambient, unit not operating	MIL-STD-202G Method 108A
Altitude	Altitude level C Duration Climb up Stabilization Status of unit	40.000 ft@-55°C 30 min. 1.000 ft/min to 70.000 f@-55°C, 30 min. unit operating	MIL-STD-810E Method 500.3
Humidity cyclic	Number of cycle Cycle duration Relative humidity variation Temperature variation Status of unit	10 Cycle I : 24 Hrs 60 % to 88 % 31°C to 41°C unit not operating	MIL-STD-810E Method 507.3
Humidity steady	Damp heat Temperature Duration Status of unit	93 % relative humidity 40°C 56 days unit not operating	MIL-STD-202G Method 103B
Salt atmosphere	Temperature Concentration NaCl Duration Status of unit	35°C 5 % 48 Hrs unit not operating	MIL-STD-810E Method 509.3
Temperature cycling	Number of cycles Temperature change Transfert time Steady state time Status of unit	200 -40°C / +85°C 40 min. 20 min. unit operating	MIL-STD-202A Method 102A
Temperature shock	Number of shocks Temperature change Transfert time Steady state time Status of unit	100 -55°C / +105°C 10 sec. 20 min. unit not operating	MIL-STD-202G Method 107G
Mechanical Qualifications			
Vibration (Sinusoidal)	Number of cycles Frequency / amplitude Frequency / acceleration Duration Status of unit	10 cycles in each axis 10 to 60 Hz / 0.7 mm 60 to 2000 Hz / 10 g 2h 30 min. per axis unit not operating	MIL-STD-810D Method 514.3
Shock (Half sinus)	Number of shocks Peak acceleration Duration Shock form Status of unit	3 shocks in each axis 100 g 6 ms 1/2 sinusoidal unit not operating	MIL-STD-810D Method 516.3
Bump (Half sinus)	Number of bumps Peak acceleration Duration Status of unit	2000 bumps in each axis 40 g 6 ms unit not operating	MIL-STD-810D Method 516.3

8- Dimensions

Dimension are given in mm (inches). Tolerance : +/- 0,2 mm (+/- 0.01 ") unless otherwise indicated.
Weight : 10 grams (0.3 Ozs) max.



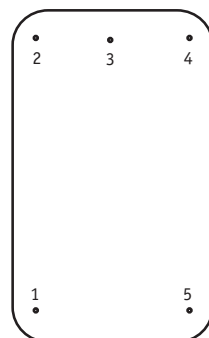
9- Materials

Case : Plastic case
Pins : Plated with pure matte tin over nickel underplate

10- Product Marking

Upper face : Company logo, location of manufacturing.
Side face : Module reference, option, date code : year and week of manufacturing.

11- Connections



Bottom view

Pin	Single
1	+ Input (Vi)
2	+ Output (Vo)
3	Ground (Gnd)
4	- Output (Go)
5	- Input (Gi)



For more detailed specifications and applications information, contact :

International Headquarters

GAIA Converter - France
ZI de la Morandière
33185 LE HAILLAN - FRANCE
Tel. : + (33)-5-57-92-12-80
Fax : + (33)-5-57-92-12-89

North American Headquarters

GAIA Converter Canada, Inc
4038 Le Corbusier Blvd
LAVAL, QUEBEC - CANADA H7L 5R2
Tel. : (514)-333-3169
Fax : (514)-333-4519

Represented by :

Information given in this datasheet is believed to be accurate and reliable. However, no responsibility is assumed for the consequence of its use nor for any infringement of patents or other rights of third parties which may result from its use. These products are sold only according to GAIA Converter general conditions of sale, unless otherwise confirmed by writing. Specifications subject to change without notice.